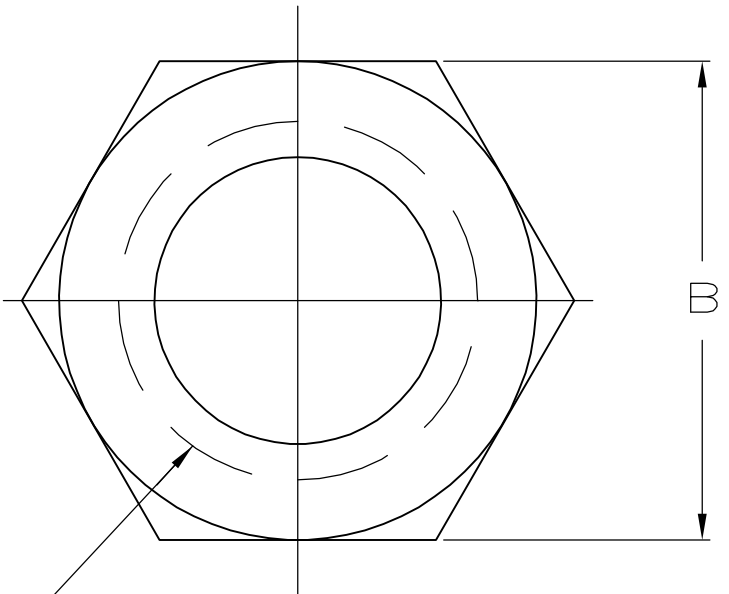
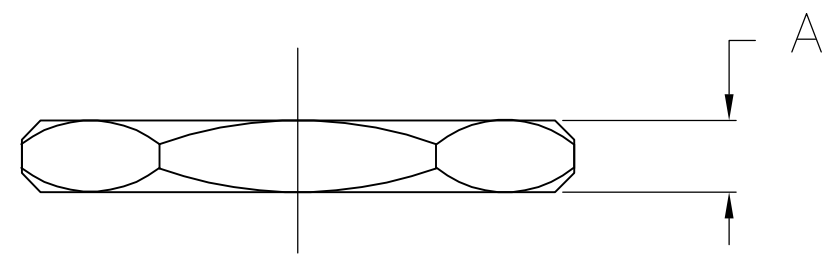


THIS DRAWING IS UNPUBLISHED. RELEASED FOR PUBLICATION
 © COPYRIGHT BY TYCO ELECTRONICS CORPORATION. ALL RIGHTS RESERVED.

LOC	DIST	REVISIONS					
AJ	16	P	LTR	DESCRIPTION	DATE	DWN	APVD
			H	REVISED PER EC OS14-0097-05	08JUN05	BM	KW



SEE TABLE FOR THREADS



- ① SILVER PL PER QQ-S-365, 2.54μm [.000100] MIN THICK.
- ② NICKEL PL PER QQ-N-290, 2.54μm [.000100] MIN THICK.
- ③ BRASS PER QQ-B-626
- ④ SEE SEPERATE RESTRICTED CUSTOMER DRAWING WITH THIS PART NUMBER.
- ⑤ BLACK NICKEL PLATE.

④	.433±.006	1.91 [.075]	3/8-24 UNEF-2B	②	2-330249-2
	.496±.008	1.91 [.075]	3/8-24 UNEF-2B	⑤	1-330249-8
	.496±.008	2.36 [.093]	3/8-32 UNEF-2B	②	1-330249-7
	-	-	-	-	1-330249-5
	.496±.008	1.91 [.075]	3/8-24 UNEF-2B	②	1-330249-4
	.496±.008	3.18 [.125]	3/8-32 UNEF-2B	②	1-330249-1
	.496±.008	3.18 [.125]	3/8-32 UNEF-2B	①	330249
	B	A	THREADS	FINISH	PART NUMBER

THIS DRAWING IS A CONTROLLED DOCUMENT.		DWN M. SNEED 6-26-91	Tyco Electronics Corporation Harrisburg, Pa 17105-3608	
DIMENSIONS: INCHES		CHK R. HENRY 6-26-91		
		APVD -	NAME JAM NUT	
TOLERANCES UNLESS OTHERWISE SPECIFIED:		PRODUCT SPEC -	APPLICATION SPEC -	
0 PLC ± - 1 PLC ± - 2 PLC ± - 3 PLC ± 0.41 [.016] 4 PLC ± - ANGLES ± -		WEIGHT -	SIZE A3	CAGE CODE 00779
MATERIAL ①		FINISH SEE TABLE	DRAWING NO G-330249	RESTRICTED TO -
CUSTOMER DRAWING			SCALE 5:1	SHEET 1 OF 1
			REV H	